



User Manual

Contents

Overview.....	04
Contents of box	06
Explanation of symbols	07
Introduction	08
Layout	09
Scope of delivery	09
Intended use	10
Safety regulations	10
Before starting the equipment	15
Operation.....	15
Technical data	16
Maintenance	18
Electrical connection	19
Disposal and recycling	20
Troubleshooting	20
Warranty Details	21
Repair and Refurbished Goods or Parts Notice	22



DEMOLITION BREAKER AB1900

AUS



ALDI guarantees that our exclusive brand products are developed to our stringent quality specifications. If you are not entirely satisfied with this product, please return it to your nearest ALDI store within 60 days from the date of purchase for a full refund or replacement, or take advantage of our after sales support by calling the supplier's Customer Service Hotline.

Made in China
WORKZONE TITANIUM is a registered trademark of ALDI Stores
DISTRIBUTED BY:
ALDI STORES
1 SARGENTS ROAD
MINCHINBURY NSW 2770
www.aldi.com.au

AFTER SALES SUPPORT



AUS 1300 855 831 support@scheppach.com.au

MODEL: AB1900 PRODUCT CODE: 61755 08/2018

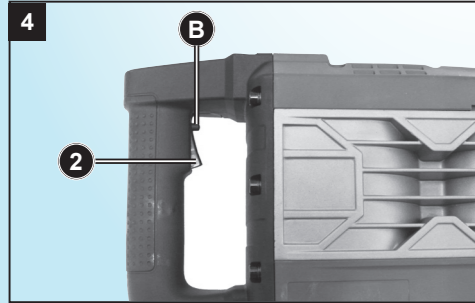
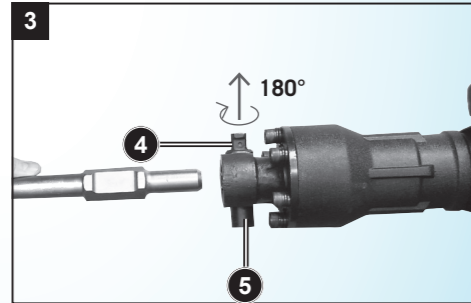
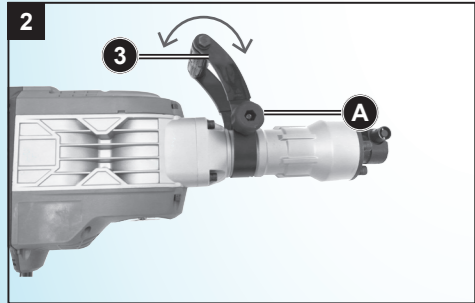
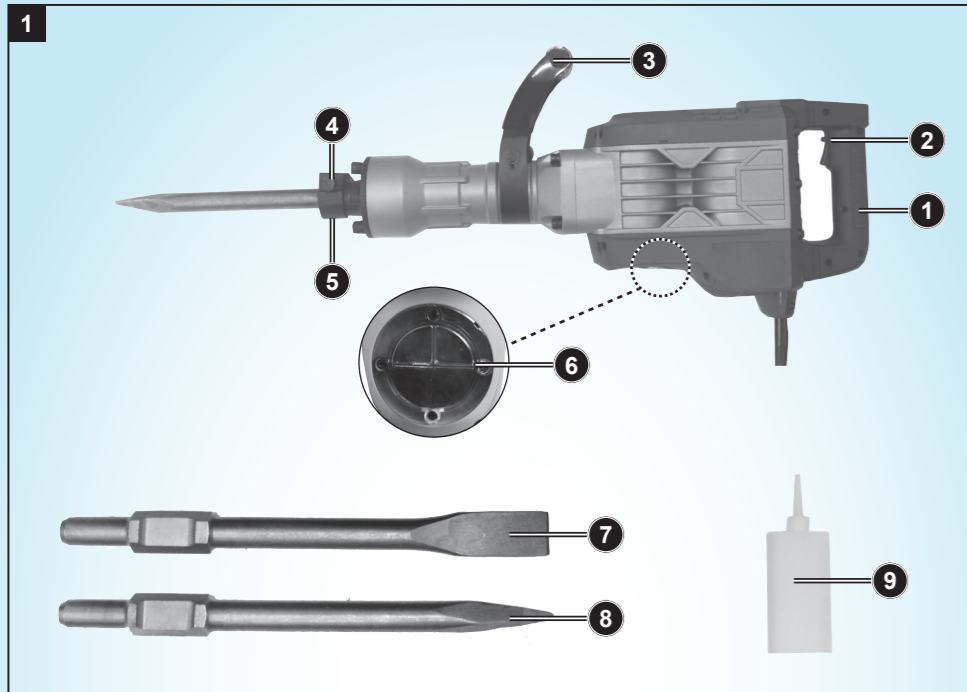
5

YEAR WARRANTY

Vers.No. 180312

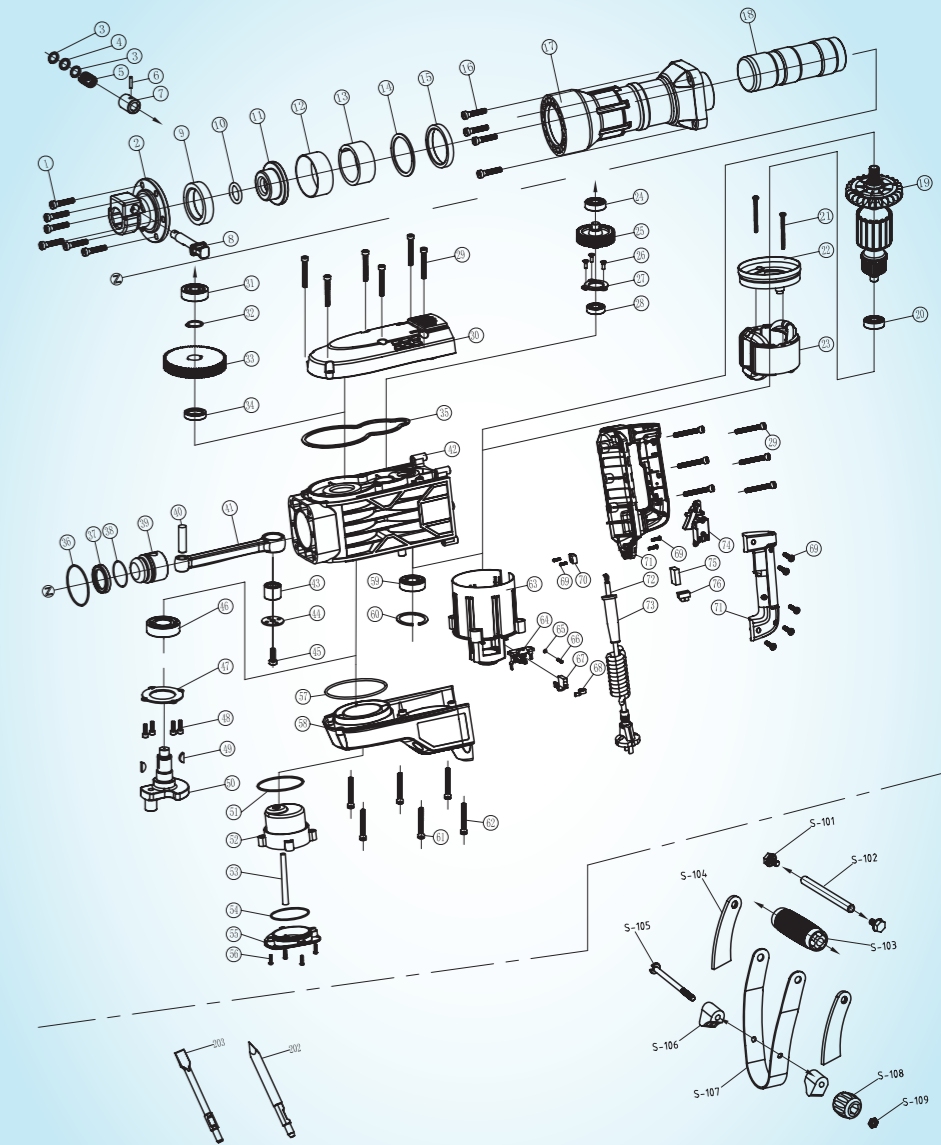
Original instructions





Contents of Box

- 1 1 x Demolition Breaker
- 2 1 x Flat chisel
- 3 1 x Pointed chisel
- 4 1 x Oil can
- 5 1 x Storage case
- 6 1 x Instruction manual
- 7 1 x Warranty card



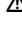


AFTER SALES SUPPORT







support@scheppach.com.au

1300 855 831

MODEL: AB1900 PRODUCT CODE: 61755 08/2018

 Attention!	These operating instructions provide places concerning your safety which are marked with this indication.
 Caution!	Failure to follow these instructions may cause light to medium risk of injury.
 Warning!	Failure to follow these instructions may cause danger to life or danger of serious injuries!

Explanation of Symbols

	Caution - Read the operating instructions to reduce the risk of inquiry.
	Wear safety goggles!
	Wear ear-muffs!
	Wear a breathing mask!
	The product is guaranteed to be free from defects in workmanship and parts for a period of 60 months from the date of purchase.
	Appliance Class II

I. INTRODUCTION

Congratulations on choosing to buy a WORKZONE TITANIUM® product. All products brought to you by WORKZONE TITANIUM® are manufactured to the highest standards of performance and safety, and as part of our philosophy of customer service and satisfaction, are backed by our comprehensive 5 Year Warranty. We hope you will enjoy using your purchase for many years to come.

Note:

The manufacturer of this device is not liable for damages which arise on or in connection with this device in case of:

- improper handling,
- non-compliance with the instructions for use,
- repairs conducted by third party or non-authorized skilled workers,
- installation and replacement of non-original spare parts,
- improper use,
- failures of the electrical system due to the non-compliance with the electrical specifications and regulations.

Recommendations:

Read the entire text of the operating instructions prior to the assembly and operation of the device.

These operating instructions are intended to make it easier for you to get familiar with your device and utilise its intended possibilities of use.

The operating instructions contain important notes on how to work safely, properly and economically with your machine and how to avoid dangers, save repair costs, reduce downtime, and increase the reliability and working life of the machine.

In addition to the safety regulations contained herein, you must in any case comply with the applicable regulations of your country with respect to the operation of the machine.

Put the operating instructions in a clear plastic folder to protect them from dirt and humidity, and store them near the machine. The instructions must be read and carefully observed by each operator prior to starting the work. Only persons who have been trained in the use of the machine and have been informed on the related dangers and risks are allowed to use the machine. The required minimum age must be met.

In addition to the safety notes contained in the present operating instructions and the special regulations of your country, the generally recognised technical rules for the operation of identically constructed machines must be observed.

II. LAYOUT (Fig. 1)

1. Handle
2. Control switch
3. Auxiliary handle
4. Locking bolt
5. Chuck
6. Inspection window/ Oil filler opening
7. Flat chisel
8. Pointed chisel
9. Oil can

III. SCOPE OF DELIVERY

- (1x) Demolition breaker
- (1x) Flat chisel
- (1x) Pointed chisel
- (1x) Oil can
- (1x) Storage case
- (1x) Instruction manual
- (1x) Warranty card

- Open the packaging and remove the device carefully.
- Remove the packaging material as well as the packaging and transport bracing (if available).
- Check that the delivery is complete.
- Check the device and accessory parts for transport damage.
- If possible, store the packaging until the warranty period has expired.

⚠ Attention!

The device and packaging materials are not toys!

Children must not be allowed to play with plastic bags, film and small parts!

There is a risk of swallowing and suffocation!

IV. INTENDED USE

This machine is designed for heavy duty demolition and chiseling work using the appropriate chisel.

The machine is to be used only for its prescribed purpose. Any other use is deemed to be a case of misuse. The user / operator and not the manufacturer will be liable for any damage or injuries of any kind caused as a result of this.

Please note that our equipment has not been designed for use in commercial, trade or industrial applications. Our warranty will be voided if the machine is used in commercial, trade or industrial businesses or for equivalent purposes.

V. SAFETY REGULATIONS

⚠ WARNING Read all safety warnings and all instructions. Failure to follow the warnings and instructions may result in electric shock, fire and/or serious injury. **Save all warnings and instructions for future reference** The term "power tool" in the warnings refers to your mains-operated (corded) power tool or battery-operated (cordless) power tool.

1. WORK AREA SAFETY

- a. **Keep work area clean and well lit.** Cluttered or dark areas invite accidents.
- b. **Do not operate power tools in explosive atmospheres, such as in the presence of flammable liquids, gases or dust.** Power tools create sparks which may ignite the dust or fumes.
- c. **Keep children and bystanders away while operating a power tool.** Distractions can cause you to lose control.

2. ELECTRICAL SAFETY

- a. **Power tool plugs must match the outlet. Never modify the plug in any way.** Do not use any adapter plugs with earthed (grounded) power tools. Unmodified plugs and matching outlets will reduce risk of electric shock.
- b. **Avoid body contact with earthed or grounded surfaces such as pipes, radiators, ranges and refrigerators.** There is an increased risk of electric shock if your body is earthed or grounded.
- c. **Do not expose power tools to rain or wet conditions.** Water entering a power tool will increase the risk of electric shock.
- d. **Do not abuse the cord. Never use the cord for carrying, pulling or unplugging the power tool. Keep cord away from heat, oil, sharp edges or moving**

- parts. Damaged or entangled cords increase the risk of electric shock.
- e. **When operating a power tool outdoors, use an extension cord suitable for outdoor use.** Use of a cord suitable for outdoor use reduces the risk of electric shock.
 - f. **If operating a power tool in a damp location is unavoidable, use a residual current device (RCD) protected supply.** Use of an RCD reduces the risk of electric shock.

3. PERSONAL SAFETY

- a. **Stay alert, watch what you are doing and use common sense when operating a power tool. Do not use a power tool while you are tired or under the influence of drugs, alcohol or medication.** A moment of inattention while operating power tools may result in serious personal injury.
- b. **Use personal protective equipment. Always wear eye protection.** Protective equipment such as a dust mask, non-skid safety shoes, hard hat, or hearing protection used for appropriate conditions will reduce personal injuries.
- c. **Prevent unintentional starting. Ensure the switch is in the off-position before connecting to power source and/or battery pack, picking up or carrying the tool.** Carrying power tools with your finger on the switch or energising power tools that have the switch on invites accidents.
- d. **Remove any adjusting key or wrench before turning the power tool on.** A wrench or a key left attached to rotating part of the power tool may result in personal injury.
- e. **Do not overreach. Keep proper footing and balance at all times.** This enables better control of the power tool in unexpected situations.
- f. **Dress properly. Do not wear loose clothing or jewellery. Keep your hair, clothing and gloves away from moving parts.** Loose clothes, jewellery or long hair can be caught in moving parts.
- g. **If devices are provided for the connection of dust extraction and collection facilities, ensure these are connected and properly used.** Use of dust collection can reduce dust-related hazards.

4. POWER TOOL USE AND CARE

- a. **Do not force the power tool. Use the correct power tool for your application.** The correct power tool will do the job better and safer at the rate for which it was designed.
- b. **Do not use the power tool if the switch does not turn it on and off.** Any power tool that cannot be controlled with the switch is dangerous and must be repaired.

- c. **Disconnect the plug from the power source and/or the battery pack from the power tool before making any adjustments, changing accessories, or storing power tools.** Such preventive safety measures reduce the risk of starting the power tool accidentally.
- d. **Store idle power tools out of the reach of children and do not allow persons unfamiliar with the power tool or these instructions to operate the power tool.** Power tools are dangerous in the hands of untrained users.
- e. **Maintain power tools. Check for misalignment or binding of moving parts, breakage of parts and any other condition that may affect the power tools operation. If damaged, have the power tool repaired before use.** Many accidents are caused by poorly maintained power tools.
- f. **Keep cutting tools sharp and clean.** Properly maintained cutting tools with sharp cutting edges are less likely to bind and are easier to control.
- g. **Use the power tool, accessories and tool bits etc. in accordance with these instructions, taking into account the working conditions and the work to be performed.** Use of the power tool for operations different from those intended could result in a hazardous situation.

5. SERVICE

- a. **Have your power tool serviced by a qualified repair person using only identical replacement parts.** This will ensure that the safety of the power tool is maintained.

6. RECOMMENDATION

We recommend that the tool always be supplied via residual current device with a rated residual current of 30 mA or less.

ADDITIONAL SAFETY INSTRUCTIONS

- **Wear ear protectors.** Exposure to noise can cause hearing loss.
- **Use the Auxiliary handles supplied with the tool.** Losing control of the tool can cause injuries.
- **Hold the equipment by the insulated handles when carrying out work during which the plug-in tool could strike concealed power cables or its own mains lead.** Contact with a live cable can also make the metal parts of the equipment live and will cause an electric shock.

Important!

When using equipment, a few safety precautions must be observed to avoid injuries and damage. Please read the complete operating manual with due care. Keep this

manual in a safe place, so that the information is available at all times. If you give the equipment to any other person, give them these operating instructions as well. We accept no liability for damage or accidents which arise due to non-observance of these instructions and the safety information.

WORKING HINTS

- All protective and safety devices must be mounted on the machine before beginning work.
- The machine is designed to be operated by one person. The operator is responsible for all other persons in the working area.
- Observe all safety instructions and warnings attached to the machine.
- See to it that safety instructions and warnings attached to the machine are always complete and perfectly legible.
- The safety, work and maintenance instructions of the manufacturer as well as the technical data given in the calibrations and dimensions must be adhered to.
- Relevant accident prevention regulations and other, generally recognized safety-technical rules must also be adhered to. The machine may only be used, maintained, and operated by persons familiar with it and instructed in its operation and procedures. Arbitrary alterations to the machine release the manufacturer from all responsibility for any resulting damages. The machine may only be used with original accessories and original tools made by the manufacturer.
- Any other use exceeds authorization. The manufacturer is not responsible for any damages resulting from unauthorized use; risk is the sole responsibility of the operator.
- Caution: The use of other tools or accessories than the ones specified in the operating instructions may present a risk of injury for you.

Residual risks

The machine has been built according to the state of the art and the recognised technical safety requirements. However, individual residual risks can arise during operation.

Mechanical hazards related to:

Machine parts or workpieces:

- shape;
- relative location;
- mass and velocity (kinetic energy of elements in controlled or uncontrolled motion);
- mechanical strength;
- Crushing hazard;
- Cutting or severing hazard;
- Entanglement hazard;
- Drawing-in or trapping hazard;

AFTER SALES SUPPORT

Electrical hazards due to:

- Contact of persons with live parts (direct contact)
- Contact of persons with parts which have become live under faulty conditions (indirect contact)
- Electrostatic phenomena

Hazards generated by noise, resulting in:

- Hearing loss (deafness), other physiological disorders (loss of balance, loss of awareness)
- Interference with speech communication, acoustic signals

Hazards generated by materials and substances (and their constituent elements) processed or used by the machinery

- Hazards from contact with or inhalation of harmful fluids and dusts
- Fire hazard

Hazards generated by neglecting ergonomic principles in machinery design related to:

- Unhealthy postures or excessive effort
- Hand-arm or foot-leg anatomy
- Local lighting
- Mental overload and underload, stress
- Human error, human behaviour
- Design, location or identification of manual controls

Combination of hazards**Unexpected start up, unexpected overrun / overspeed (or any similar malfunction) from:**

- Failure/disorder of the control system
- External influences on electrical equipment
- Errors made by the operator (due to mismatch of machinery with human characteristics and abilities)
- Impossibility of stopping the machine in the best possible conditions
- Variations in the rotational speed of tools
- Failure of the power supply
- Failure of the control circuit
- Errors of fitting
- Break-up during operation
- Falling or ejected objects or fluids
- Loss of stability / overturning of machinery

VI. BEFORE STARTING THE EQUIPMENT

Before you connect the equipment to the mains supply make sure that the data on the rating plate are identical to the mains data.

Always pull the power plug before making adjustments to the equipment.

Check the oil level before using the machine. Place the machine on the floor with the tool mounting pointing downwards. The oil must be at least above the middle of the inspection window (6). **(Fig. 1)**

Check the drilling point for concealed electrical cables, gas and water pipes using a cable/pipe detector.

Inserting the accessory (Fig. 1/3)

- Clean the accessory before fitting it and apply a thin coating of grease (not included) to the accessory shaft.
- Pull out the locking bolt (4) as far as possible, turn it through 180° and release it.
- Insert the accessory into the chuck (5) and push it in as far as possible.
- Pull out the locking bolt (4) again, turn it through 180° in the opposite direction and release it.
- Check the lock by pulling the accessory.

Removing the accessory

To remove the accessory, proceed in reverse order.

VII. OPERATION

This demolition breaker is designed for use in the breaking of hard surfaces - concrete and masonry and for the loosening of impacted dirt and soil. Its powerful motor and attachments ensure the quick and easy removal of material.

The pointed chisel is used mainly for general chiseling and the demolition of masonry, concrete and loose rock. It is particularly well suited to breaking and loosening. The flat chisel is used for general chiseling, demolition and the breaking of masonry, concrete and loose stone. With its selective breaking action the flat chisel is used for the removal of protruding concrete and masonry or for the removal residual mortar.

⚠ Important!

To avoid the risk of electric shock, the machine must only be held using the handle (1) and the auxiliary handle (3). You may suffer an electric shock if you chisel into electrical cables or power supplies.

AFTER SALES SUPPORT

Switching on and off (Fig. 4)

To switch on:

Press the control switch (2).

To switch off:

Release the control switch (2).

Automatic mode

To switch on:

Press the control switch (2) and then the knob (B).

To switch off:

Press the control switch (2) and then release it.

Practical tips**Sharpening chisel accessories**

You will only achieve good results if you use sharp chisels. You should therefore sharpen the chisels promptly to ensure that they produce good results and provide a long service life. Sharpen the chisels with an angle grinder.

⚠ Important!

You only require slight contact pressure for chiseling. Excessive contact pressure will place an unnecessary strain on the motor. Check the chisels at regular intervals. Sharpen or replace blunt chisels.

VIII. TECHNICAL DATA

Dimensions L x W x H	mm	674 x 155 x 264
Input Voltage	V~	230 - 240
Frequency	Hz	50
Power input	W	1900
Protection class		II

Subject to technical modifications!

Noise

Total values determined in accordance with EN 60745.

Sound pressure level L_{pA}	80.63 dB(A)
Uncertainty K_{pA}	2.49 dB
Sound power level L_{WA}	100.6 dB(A)
Sound power level (guaranteed) L_{WA}	103 dB(A)
Uncertainty K_{WA}	2.49 dB

Wear ear / hearing protection

The impact of noise can cause damage to hearing. Total vibration values (vector sum of three directions) determined in accordance with EN 60745.

Total vibration values (vector sum of three directions) determined in accordance with EN 60745.

Chiseling

Vibration emission value a_n (main handle): 17.447 m/s²

Vibration emission value a_n (auxiliary handle): 19.546 m/s²

K uncertainty = 1.5 m/s²

Important!

The vibration value changes according to the area of application of the electric tool and may exceed the specified value in exceptional circumstances.

Reduce noise generation and vibration to a minimum!

Use only equipment that is in perfect condition.

Maintain and clean the equipment regularly.

Adopt your way of working to the equipment.

Do not overload the equipment.

Have the equipment checked if necessary.

Switch off the equipment when not in use.

Wear protective gloves.

The figures quoted are emission levels and are not necessarily safe working levels. Whilst there is a correlation between the emission and exposure levels, this cannot be used reliably to determine whether or not further precautions are required. Factors that influence the actual level of exposure of the workforce include the characteristics of the work room and the other sources of noise etc. i.e. the number of machines and other adjacent processes. Also the permissible exposure level can vary from country to country. This information, however, will enable the user of the machine to make a better evaluation of the hazard and risk.

AFTER SALES SUPPORT

IX. MAINTENANCE

⚠ Warning! Always pull out the mains power plug before starting any cleaning work.

⚠ Warning! If the supply cord of this power tool is damaged, it must be replaced by a specially prepared cord available through the service organization.

Cleaning

Disconnect the mains plug, and wait until the rotating tool stands still. All protection and safety devices must be immediately re-installed once the repair and maintenance work is completed. The built-in ball bearings are maintenance-free.

Recommendations:

- Keep all safety devices, air vents and the motor housing free of dirt and dust as far as possible. Wipe the equipment with a clean cloth or blow it with compressed air at low pressure.
- We recommend that you clean the device immediately each time you have finished using it.
- Clean the equipment regularly with a moist cloth and some soft soap. Do not use cleaning agents or solvents; these could attack the plastic parts of the equipment. Ensure that no water can seep into the device.

Carbon brushes

In case of excessive sparking, have the carbon brushes checked only by a qualified electrician. **Important!** The carbon brushes should not be replaced by anyone but a qualified electrician.

Check the oil level (Fig. 1)

Check the oil level before using the machine. Place the machine on the floor with the tool mounting pointing downwards. The oil must be at least above at the middle of the inspection window (6). Changing the oil: The oil should be changed after around 40-50 hours of use. Recommended oil: 25ml SAE 15W/40 or an alternative of the same quality.

Oil change (Fig. 1)

Switch off the machine and pull the mains plug out of the socket. Remove the inspection window (6) with a screwdriver (not included) and drain the oil. To prevent the oil from running out in an uncontrolled manner, hold a small metal chute under the opening and collect the oil in a vessel until it has fully drained out of the machine.

Important: The waste oil must be disposed of in the appropriate collection point

for waste oil. Add new oil (approx. 80 ml) through the oil filler opening (6) until the oil level reaches the required level. Re-check the oil level after a short period of operation.

X. ELECTRICAL CONNECTION

The electrical motor installed is connected and ready for operation. The connection complies with the applicable Australian standards. The customer's mains connection as well as the extension cable used must also comply with these regulations.

Damaged electrical connection cable

The insulation on electrical connection cables is often damaged.

This may have the following causes:

- Passage points, where connection cables are passed through windows or doors.
- Kinks where the connection cable has been improperly fastened or routed.
- Places where the connection cables have been cut due to being driven over.
- Insulation damage due to being ripped out of the wall outlet.
- Cracks due to the insulation ageing.

Such damaged electrical connection cables must not be used and are life-threatening due to the insulation damage. Check the electrical connection cables for damage regularly. Make sure that the power is switched off before inspecting the cable. Electrical connection cables must comply with the applicable Australian standards and must be correctly marked. Only use connection cables with the marking "H07RN-F". Replacement cables can only be fitted by an approved and certified electrician. If you are in any doubt please contact the help line at the foot of this page.

AC motor

- The mains voltage must be 230 - 240 V~.
- Extension cables up to 25 m long must have a cross-section of 1.5 mm².
- The mains connection must be protected with a delay action fuse of 16 A.

Connections and repairs of electrical equipment may only be carried out by an electrician.

Please provide the following information in the event of any enquiries:

- Type of current for the motor
- Machine data - type plate

XI. DISPOSAL AND RECYCLING

The equipment is supplied in packaging to prevent it from being damaged in transit. The raw materials in this packaging can be reused or recycled. The equipment and its accessories are made of various types of material, such as metal and plastic. Defective components must be disposed of as special waste. Ask your dealer or your local council.

XII. TROUBLESHOOTING

Problem	Possible Cause	Help
Motor does not start.	Failure of mains fuse.	Check the mains fuse.
	Extension cable defective.	Replace defective extension cable .
	Connections at the motor or switch out of order.	Check with the help of an electrician.
	Motor or switch defective.	Check with the help of an electrician.
Motor does not work, the fuse responds.	Cross section of the extension cable insufficiently.	Refer to Electrical Connection.
	Overload	Check tool.



DEMOLITION BREAKER



Warranty Details

REGISTER YOUR PURCHASE AT www.aldi.com.au/en/about-aldi/product-registration/ TO KEEP UP-TO-DATE WITH IMPORTANT PRODUCT INFORMATION

The product is guaranteed to be free from defects in workmanship and parts for a period of 60 months from the date of purchase. Defects that occur within this warranty period, under normal use and care, will be repaired, replaced or refunded at our discretion. The benefits conferred by this warranty are in addition to all rights and remedies in respect of the product that the consumer has under the Competition and Consumer Act 2010 and similar state and territory laws.

Our goods come with guarantees that cannot be excluded under the Australian Consumer Law. You are entitled to a replacement or refund for a major failure and for compensation for any other reasonably foreseeable loss or damage. You are also entitled to have the goods repaired or replaced if the goods fail to be of acceptable quality and the failure does not amount to a major failure.

AFTER SALES SUPPORT

  1300 855 831

 support@scheppach.com.au

MODEL: AB1900 PRODUCT CODE: 61755 08/2018

5

YEAR WARRANTY



DEMOLITION BREAKER

Repair and Refurbished Goods or Parts Notice

Unfortunately, from time to time, faulty products are manufactured which need to be returned to the Supplier for repair.

Please be aware that if your product is capable of retaining user-generated data (such as files stored on a computer hard drive, telephone numbers stored on a mobile telephone, songs stored on a portable media player, games saved on a games console or files stored on a USB memory stick) during the process of repair, some or all of your stored data may be lost.

We recommend you save this data elsewhere prior to sending the product for repair.



You should also be aware that rather than repairing goods, we may replace them with refurbished goods of the same type or use refurbished parts in the repair process.

Please be assured though, refurbished parts or replacements are only used where they meet ALDI's stringent quality specifications.

If at any time you feel your repair is being handled unsatisfactorily, you may escalate your complaint. Please telephone us on 1300 855 831 or write to us at:

RossMac Pty. Ltd.
P.O. Box 261, Essendon North, Victoria, 3041
1300 855 831
support@scheppach.com.au

AFTER SALES SUPPORT

  1300 855 831

 support@scheppach.com.au

MODEL:AB1900 PRODUCT CODE: 61755 08/2018

5

YEAR WARRANTY



ALDI

Warranty Certificate

REGISTER YOUR PURCHASE AT www.aldi.com.au/en/about-aldi/product-registration/ TO KEEP UP-TO-DATE WITH IMPORTANT PRODUCT INFORMATION

Congratulations! You have made an excellent choice of this quality product. Our commitment to quality also includes our service. Should you, contrary to expectations, experience defects due to manufacturing faults, ALDI will provide you with a warranty against defects as follows:

Warranty

The product is guaranteed to be free from defects in workmanship and parts for a period of 60 months (dependant on product) from the date of purchase. Defects that occur within this warranty period, under normal use and care, will be repaired, replaced or refunded at our discretion. The benefits conferred by this warranty are in addition to all rights and remedies in respect of the product that the consumer has under the Competition and Consumer Act 2010 and similar state and territory laws.

Our goods come with guarantees that cannot be excluded under the Australian Consumer Law. You are entitled to a replacement or refund for a major failure and for compensation for any other reasonably foreseeable loss or damage. You are also entitled to have the goods repaired or replaced if the goods fail to be of acceptable quality and the failure does not amount to a major failure.

Proof of Purchase

This warranty is valid for the original purchase and is not transferable. Please keep your purchase docket, tax invoice or receipt as the best proof of purchase, and as proof of date on which the purchase was made.

Extent of Warranty

This warranty is limited to defects in workmanship or parts. All defective products or parts will be repaired or replaced. This warranty does not cover batteries or any other consumable items.

Normal Wear and Tear

This warranty does not cover normal wear and tear to the products or parts.

Exclusions

This warranty does not cover:

- Any defects caused by an accident, misuse, abuse, improper installation or operation, lack of reasonable care, unauthorised modification, loss of parts, tampering or attempted repair by a person not authorised by the distributor.
- Any product that has not been installed, operated or maintained in accordance with the manufacturer's operating instructions provided with the product.
- Any product that has been used for purposes other than domestic use.
- Any damage caused by improper power input or improper cable connection.

To Make a Claim

This warranty against defects is provided by ALDI Stores, Locked Bag 56, St Marys Delivery Centre, NSW 2760, Phone (02) 9675 9000. If a defect in the goods appears within 60 months (the identified period on the packaging), you are entitled to claim a warranty, please contact or send all warranty claims to:

RossMac Pty. Ltd.

P.O. Box 261, Essendon North, Victoria, 3041

Telephone: 1300 855 831

Operating hours: Monday - Friday 8:30am-6:00pm

Email: support@schepbach.com.au

When making a return, please ensure the product is properly packaged so as to ensure that no damage occurs to the product during transit.

Please provide the original or a copy of the proof of purchase. Also please make sure you have included an explanation of the problem.

Please note that the costs of making a warranty claim, including any return postage, will be covered by the supplier identified above.

Please note upon receiving your warranty claim, the supplier will send, via the post or email, a repair and refurbished goods or parts notice. Please provide your email address and advise the supplier, if you wish to obtain a repair and refurbished goods or parts notice via email.

AFTER SALES SUPPORT

  1300 855 831

AUS Hotline Costs: Local rate for landline calls*

*Charges may vary dependent upon network operator or mobile network provider.

 support@schepbach.com.au

MODEL: AB1900 PRODUCT CODE: 61755 08/2018





Warranty Certificate

PRODUCT NAME DEMOLITION BREAKER

BRAND NAME WORKZONE TITANIUM®

PRODUCT NUMBER 61755

MODEL NUMBER AB1900 08/2018

NAME

ADDRESS

EMAIL

DAYTIME TEL NO

DATE OF PURCHASE

SERIAL NUMBER

We recommend that you attach a photocopy of your receipt, showing the date of purchase, to this Warranty certificate and **keep for your reference**. Please do not send to the address below.

In the event of a product fault, please call the Customer Service hotline. Please ensure that you have the product details (as shown on this card) at hand so that we are able to respond quickly and efficiently as possible.

You can also register your product at <https://www.aldi.com.au/en/about-aldi/product-registration/> to keep up-to-date with important product information.

RossMac Pty. Ltd.
P.O. Box 261, Essendon North, Victoria, 3041
Telephone: 1300 855 831
Opening hours: Monday - Friday 8:30am-6:00pm
Email: support@schepach.com.au

AFTER SALES SUPPORT

1300 855 831

AUS Hotline Costs: Local rate for landline calls*
*Charges may vary dependent upon network operator or mobile network provider.

support@schepach.com.au

MODEL: AB1900 PRODUCT CODE: 61755 08/2018

