

# User Manual

## Contents

Overview .....	3
Package contents/part list .....	6
Explanation of Symbols .....	7
Introduction .....	8
Layout .....	9
Scope of delivery .....	9
Intended Use .....	10
General Power Tool Safety Warnings .....	10
Before Use.....	13
Use.....	15
Maintenance and Cleaning .....	16
Technical data .....	17
Disposal and recycling .....	18
Troubleshooting.....	18
Warranty Details.....	20
Repair and Refurbished Goods or Parts Notice .....	22

# FERREX® DEMOLITION BREAKER



ALDI guarantees that our exclusive brand products are developed to our stringent quality specifications. If you are not entirely satisfied with this product, please return it to the nearest ALDI store within 60 days from the date of purchase, for a full refund or replacement, or take advantage of our after sales support by calling the supplier's Customer Service Hotline.

AU

### Made in China

FERREX® is a registered trademark of ALDI Stores

DISTRIBUTED BY:

ALDI STORES  
1 SARGENTS ROAD  
MINCHINBURY NSW 2770  
www.aldi.com.au

AFTER SALES SUPPORT

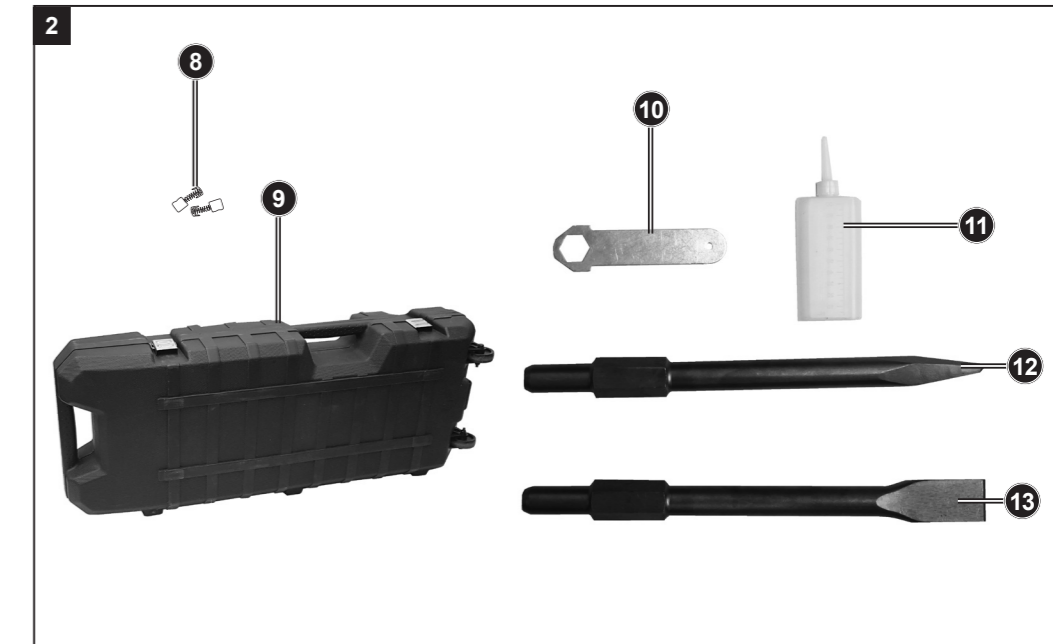
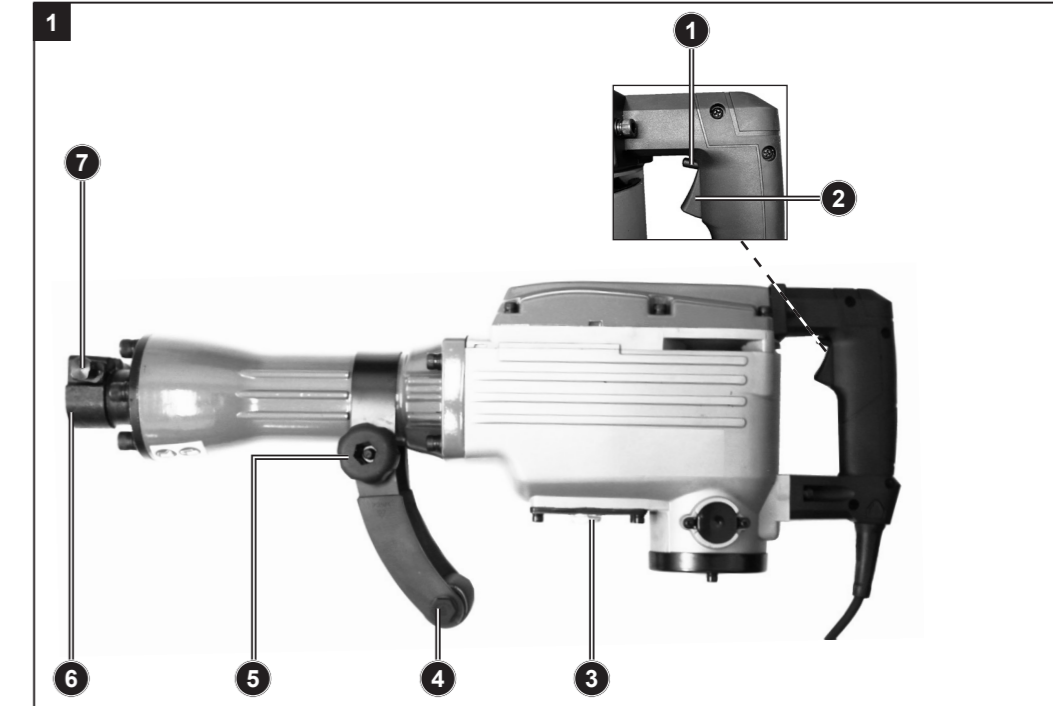
701738 W<sup>2</sup>

1300 855 831

support@scheppach.com.au

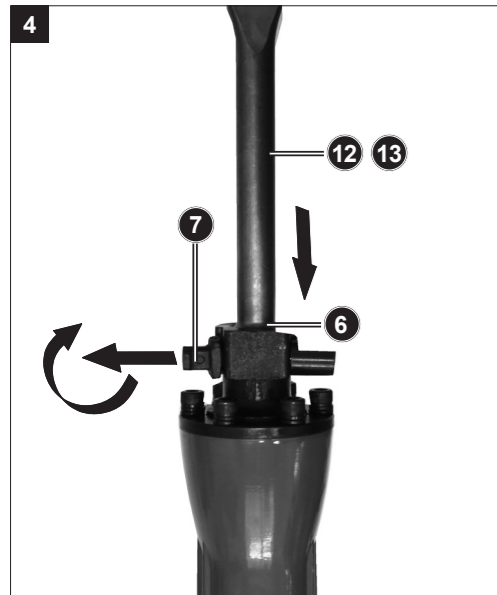
MODEL:  
PH1700 06/2020

**5**  
YEAR  
WARRANTY



Dok./Rev.-Nr. 701738\_20200218

4

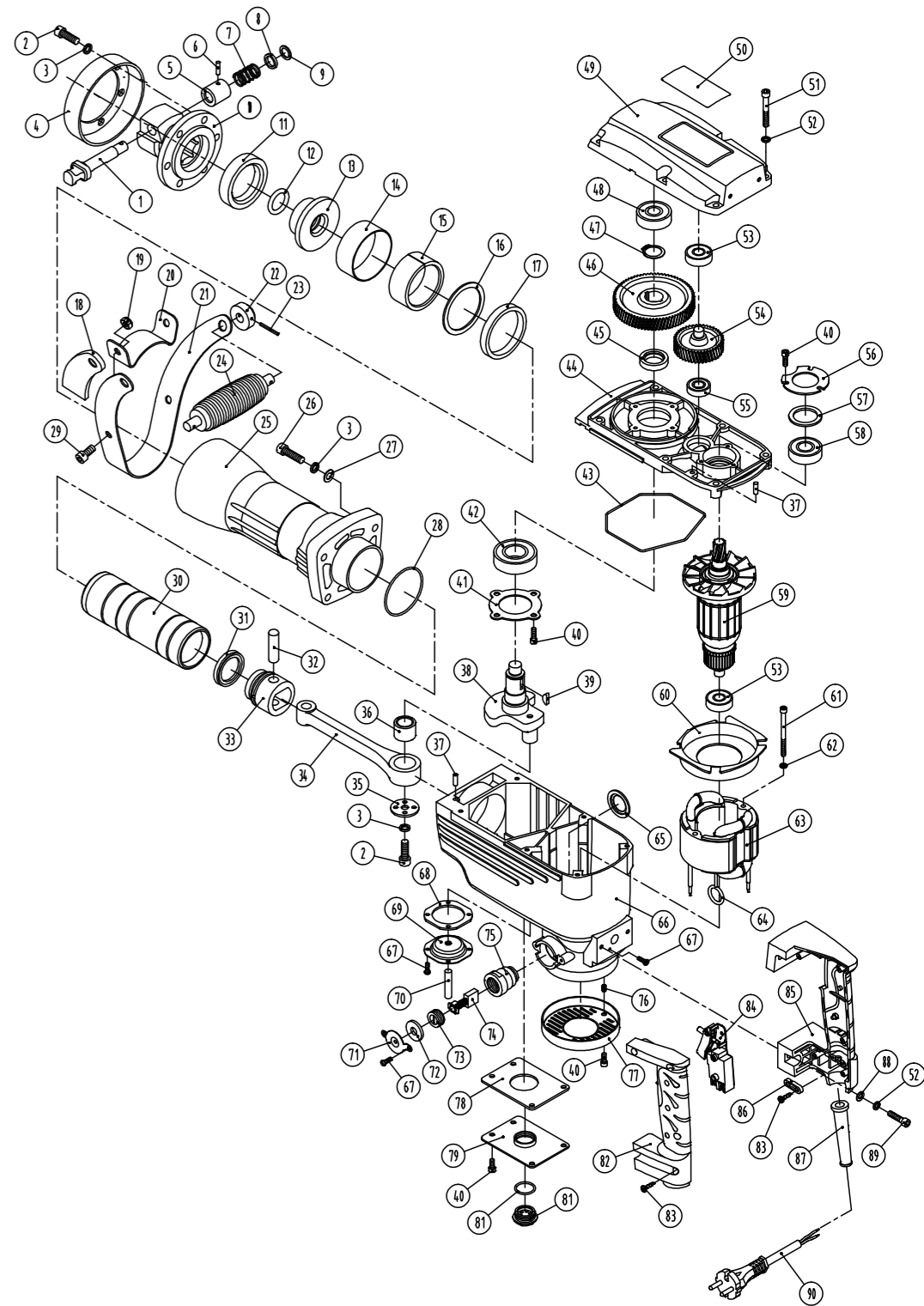


5

6






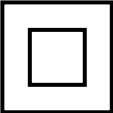


## Package contents/part list

- 1 Demolition Breaker (1x)
- 2 Carbon brushes (2x)
- 3 Carrying case (1x)
- 4 Assembly wrench (1x)
- 5 Oil bottle (1x)
- 6 Pointed chisel (1x)
- 7 Flat chisel (1x)
- 8 Warranty card
- 9 Instruction manual



## Explanation of Symbols

The use of symbols in this manual is intended to draw your attention to possible risks. The safety symbols and the explanations that accompany them must be perfectly understood. The warnings in themselves do not remove the risks and cannot replace correct actions for preventing accidents.

	<p>Read the complete user guide before using the appliance.</p>
	<p>Wear security and anti-vibration gloves when you use the device.</p>
	<p>Always wear non-skid safety shoes with cut protection when using this product.</p>
	<p>Wear safety goggles!</p>
	<p>Wear ear-muffs!</p>
	<p>Appliance Class II.</p>
	<p>Guaranteed sound power level.</p>
	<p>Comply with the Australian safety standards.</p>

## Introduction

Congratulations on choosing to buy a FERREX® product.

All products brought to you by FERREX® are manufactured to the highest standards of performance and safety, and as part of our philosophy of customer service and satisfaction, are backed by our comprehensive 5 Year Warranty.

We hope you will enjoy using your purchase for many years to come.

### **Note:**

According to the applicable product liability law the manufacturer of this device is not liable for damages which arise on or in connection with this device in case of:

- improper handling,
- non-compliance with the instructions for use,
- repairs by third party, non-authorized skilled workers,
- installation and replacement of non-original spare parts,
- improper use.

### **Recommendations:**

Read the entire text of the operating instructions prior to the assembly and operation of the device.

These operating instructions are intended to make it easier for you to get familiar with your device and utilise its intended possibilities of use.

The operating instructions contain important notes on how to work safely, properly and economically with your machine and how to avoid dangers, save repair costs, reduce downtime, and increase the reliability and working life of the machine.

In addition to the safety regulations contained herein, you must in any case comply with the applicable regulations of your country with respect to the operation of the machine.

Keep the operating instructions in a clear plastic folder to protect them from dirt and humidity; store them near the machine. The instructions should be read and carefully understood by each operator prior to using the machine. Only persons who have been trained in the use of the machine and are aware of the related dangers and risks should be allowed to use the machine. The local required minimum age must be met.

In addition to the safety notes contained in these operating instructions and any specific regulations in your country, the generally recognised technical rules for the operation of identically constructed machines must be observed.

## Layout (Fig. 1/2)

- 1 Locking switch
- 2 ON/OFF switch
- 3 Oil inspection window
- 4 Additional handle
- 5 Knurled nut for additional handle
- 6 Tool holder
- 7 Locking pin
- 8 Carbon brushes
- 9 Carrying case (with castors)
- 10 Assembly wrench
- 11 Oil bottle
- 12 Pointed chisel
- 13 Flat chisel

## Scope of delivery

Demolition Breaker	(1x)
Carbon brushes	(2x)
Carrying case	(1x)
Assembly wrench	(1x)
Oil bottle	(1x)
Pointed chisel	(1x)
Flat chisel	(1x)
Warranty card	(1x)
Instruction manual	(1x)

- Open the packaging and take out the equipment with care.
- Remove the packaging material.
- Check that all listed contents are present.
- Inspect the equipment and parts for any damage. Please contact the helpline if anything is missing.
- If possible, keep the packaging until the end of the guarantee period.
- Read the operating instructions fully to familiarise yourself with the tool prior to using it.
- Only use original accessories and spare parts. Spare parts are available by

contacting the helpline.

- Specify the part numbers when you contact the helpline.

**⚠ ATTENTION!**

**The device and packaging materials are not toys!**

**Children must not be allowed to play with plastic bags, film and small parts!**

**There is a risk of swallowing and suffocation!**

## Intended Use

The demolition breaker is suitable for chiselling into concrete, stone and plaster. Any other usage or modification of the appliance is deemed to be improper and carries a significant risk of accidents.

The manufacturer accepts no responsibility for damage(s) attributable to misuse. The appliance is not intended for commercial use.

## General Power Tool Safety Warnings

**⚠ WARNING!**

**Read all safety warnings and all instructions.** Failure to follow the warnings and instructions may result in electric shock, fire and/or serious injury.

**Save all warnings and instructions for future reference.**

The term “power tool” in the warnings refers to your mains-operated (corded) power tool or battery-operated (cordless) power tool.

### 1. Work area safety

- Keep work area clean and well lit.** Cluttered or dark areas invite accidents.
- Do not operate power tools in explosive atmospheres, such as in the presence of flammable liquids, gases or dust.** Power tools create sparks which may ignite the dust or fumes.
- Keep children and bystanders away while operating a power tool.** Distractions can cause you to lose control.

## 2. Electrical safety

- a) **Power tool plugs must match the outlet. Never modify the plug in any way. Do not use any adapter plugs with earthed (grounded) power tools.** Unmodified plugs and matching outlets will reduce risk of electric shock.
- b) **Avoid body contact with earthed or grounded surfaces, such as pipes, radiators, ranges and refrigerators.** There is an increased risk of electric shock if your body is earthed or grounded.
- c) **Do not expose power tools to rain or wet conditions.** Water entering a power tool will increase the risk of electric shock.
- d) **Do not abuse the cord. Never use the cord for carrying, pulling or unplugging the power tool. Keep cord away from heat, oil, sharp edges or moving parts.** Damaged or entangled cords increase the risk of electric shock.
- e) **When operating a power tool outdoors, use an extension cord suitable for outdoor use.** Use of a cord suitable for outdoor use reduces the risk of electric shock.
- f) **If operating a power tool in a damp location is unavoidable, use a residual current device (RCD) protected supply.** Use of an RCD reduces the risk of electric shock.

## 3. Personal safety

- a) **Stay alert, watch what you are doing and use common sense when operating a power tool. Do not use a power tool while you are tired or under the influence of drugs, alcohol or medication.** A moment of inattention while operating power tools may result in serious personal injury.
- b) **Use personal protective equipment. Always wear eye protection.** Protective equipment such as dust mask, non-skid safety shoes, hard hat, or hearing protection used for appropriate conditions will reduce personal injuries.
- c) **Prevent unintentional starting. Ensure that the electric tool is switched off before you connect it to the power supply, pick it up or carry it.** Carrying power tools with your finger on the switch or energising power tools that have the switch on invites accidents.
- d) **Remove any adjusting key or wrench before turning the power tool on.** A wrench or a key left attached to a rotating part of the power tool may result in personal injury.

- e) **Do not overreach. Keep proper footing and balance at all times.** This enables better control of the power tool in unexpected situations.
- f) **Dress properly. Do not wear loose clothing or jewellery.** Keep your hair, clothing and gloves away from moving parts. Loose clothes, jewellery or long hair can be caught in moving parts.
- g) **If devices are provided for the connection of dust extraction and collection facilities, ensure these are connected and properly used.** Use of dust collection can reduce dust-related hazards.

#### 4. Power tool use and care

- a) Do not force the power tool. Use the correct power tool for your application. The correct power tool will do the job better and safer at the rate for which it was designed.
- b) Do not use the power tool if the switch does not turn it on and off. Any power tool that cannot be controlled with the switch is dangerous and must be repaired.
- c) Remove the plug from the socket before making adjustments to the appliance, changing accessories or putting the appliance into storage. Such preventive safety measures reduce the risk of starting the power tool accidentally.
- d) Store idle power tools out of the reach of children and do not allow persons unfamiliar with the power tool or these instructions to operate the power tool. Power tools are dangerous in the hands of untrained users.
- e) Maintain power tools. Check for misalignment or binding of moving parts, breakage of parts and any other condition that may affect the power tool's operation. If damaged, have the power tool repaired before use. Many accidents are caused by poorly maintained power tools.
- f) Keep cutting tools sharp and clean. Properly maintained cutting tools with sharp cutting edges are less likely to bind and are easier to control.
- g) Use the power tool, accessories and tool bits etc. in accordance with these instructions, taking into account the working conditions and the work to be performed. Use of the power tool for operations different from those intended could result in a hazardous situation.

#### 5. Service

- a) **Have your power tool serviced by a qualified repair person using only identical replacement parts.** This will ensure that the safety of the power tool is maintained.



## Safety instructions specific to demolition breakers

- **Wear hearing protection.** Exposure to loud noise can lead to hearing loss.
- **Use the additional handles supplied with the appliance.** Loss of control can lead to injuries.
- **Hold the appliance by the insulated handles when you are carrying out work during which the deployed tool may come into contact with concealed power cables or its own power cable.** Contact with a live wire may electrify exposed metal parts of the power tool and could give the operator an electric shock.
- **Wear a dust mask.**

## Before Use

### **⚠ WARNING! Risk of injury!**

Switch off the appliance and pull out the power plug before starting any work on the appliance.

### **Greasing (Fig. 1)**

#### **⚠ WARNING!**

- Before every use, check whether there is enough grease (e.g. multi-purpose grease, bearing grease, etc.) in the appliance and on the chisel. Operation without grease will cause irreparable damage to the appliance.
- Grease the tool holder (6) with some grease (not included).
- Grease the appropriate chisel shaft (12/13) with some grease (not included).

### **Checking the oil level (Fig. 1 / 3)**

#### **NOTE**

Before operating the appliance, check whether there is enough oil (e.g. SAE 20W—50) in the appliance. Operation without sufficient oil will cause irreparable damage to the appliance.

- Hold the appliance with the tool holder (6) facing upwards.
- Look in the oil inspection window (3) on the underside of the appliance to see whether there is sufficient oil in the appliance.
- If you cannot see any oil in the oil inspection window, top up the oil (SAE 20W—50) as described in the section “Topping up the oil”.

### **Use the additional handle (Fig. 1)**

- You can position the additional handle (4) as you wish.
- Undo the knurled nut (5).
- Turn the additional handle (4) around the appliance axis and/or up to 360° forwards or backwards into the desired position.
- Retighten the knurled nut (5).

### **Fitting the chisel (Fig. 1 / 4)**

#### **⚠ WARNING!**

Before every use, check whether there is enough grease in the appliance and on the chisel (see section “Greasing”). Operation without grease will cause irreparable damage to the appliance.

- Pull out the locking pin (7) and turn it 180°.
- Place the chisel (12/13) with the milled groove pointing in the direction of the locking pin (7).
- Turn the locking pin (7) 180° until it clicks into place. This locks the tool holder (6). Check that the chisel (12/13) is properly locked in place by pulling it.

#### **Note**

If the locking pin (7) cannot be locked into position, this means that the chisel (12/13) is not in the correct position.

Move the machine into a vertical position and then press the chisel (12/13) towards the floor. You can now rotate the locking pin (7).

### **Removing the chisel (Fig. 1 / 4)**

#### **WARNING! Risk of injury!**

The chisel (12/13) can become very hot during operation. Allow the chisel to cool down after use and always wear protective gloves when you are removing the chisel (12/13).

- Pull out the locking pin (7) and lock it into position so that it does not block the tool holder (6). The flat side of the locking pin (7) must point upwards to open the tool holder (6).
- Pull the chisel (12/13) out of the tool holder (6).

---

## Use

### **⚠ WARNING! Risk of injury!**

- The chisel can jam during use and this can transfer powerful forces into the handle.
- Always ensure that you are standing securely and have a firm grip during operation.
- Ensure that the appliance is switched off before plugging it in.

### **⚠ WARNING!**

- Before every use, check whether there is enough grease in the appliance (see section “Greasing”).
- Operation without grease will cause irreparable damage to the appliance.
- Before operating the appliance, check whether there is enough oil in the appliance (see section “Checking the oil level”). Operation without sufficient oil will cause irreparable damage to the appliance.
- Do not apply excessive pressure when working with the appliance. This reduces the performance and puts added strain on the motor.

### **Switching on and off (Fig. 1)**

During operation, you can choose between instantaneous and continuous operation.

Switching to instantaneous operation:

- Press the ON/OFF switch (2).

Switching off instantaneous operation:

- Release the ON/OFF switch (2).

Switching to continuous operation:

- Press the ON/OFF switch (2) and lock it in this position with the locking switch (1).

Switching off continuous operation:

- Press the ON/OFF switch (2) and release it again.

### **Working with the demolition breaker (Fig. 1)**

- Hold the demolition breaker during the task with both hands on the handles and with a firm grip.
- Only apply light pressure to the chisel (12/13). The chisel mechanism of the demolition hammer is activated when light pressure is applied to the working surface with the chisel (12/13).

## **Maintenance and Cleaning**

**⚠ WARNING! Risk of injury!** Switch off the appliance and pull out the power plug before starting any work on the appliance.

- The handles, ventilation slots and the motor housing must always be kept clean, dry and free from oil or grease.
- Use a soft, dry cloth to clean the housing.
- Make sure that the ventilation slots are not obstructed.
- Clean the tool holder (6) regularly:
- Before fitting a tool into the tool holder (6), grease it lightly.

### **⚠ WARNING!**

If the cord of the power tool is damaged, it must be replaced with a specially designed cord that can be purchased through our Customer Service.

### **Topping up the oil (Fig. 1 / 3)**

#### **Note**

Before operating the appliance, check whether there is enough oil in the appliance (see section “Checking the oil level”). Operation without sufficient oil will cause irreparable damage to the appliance.

If you have ascertained that there is no oil in the oil inspection window (3), you need top up the oil:

- Lay the appliance on a flat surface with the oil inspection window (3) facing upwards.
- Use the supplied assembly (10) wrench to remove the oil inspection window (3) from the housing.
- Pour the oil (not included) with help from the oil bottle (11) into the opening until it is 1 cm below the lip.
- Replace the oil inspection window (3) and screw it tight using the assembly wrench (10).
- Check the fill level as described in the section “Checking the oil level”.

## Replacing the carbon brushes

### Note

Have the carbon brushes (8) replaced by the manufacturer, Customer Service or a similarly qualified person.

## Technical data

<b>Nominal Power</b>	1700 W
<b>Nominal Voltage</b>	230-240 V~ / 50 Hz
<b>Stroke Rate</b>	2000 bpm
<b>Stroke Energy</b>	50 J
<b>Attachment Socket</b>	SDS-HEX

### Noise emission value:

Noise measurement value determined in accordance with EN 60745. The A-rated noise level of the tool is typically:

<b>Sound pressure level <math>L_{PA}</math></b>	100 dB(A)
<b>Uncertainty <math>K_{PA}</math></b>	1.58 dB
<b>Guaranteed sound power level <math>L_{WA}</math></b>	105 dB(A)
<b>Measured sound power level <math>L_{WA}</math></b>	102 dB(A)
<b>Uncertainty <math>K_{WA}</math></b>	1.58 dB

### Wear hearing protection!

### Total vibration value:

Total vibration value (vector total of three directions) determined in accordance with EN 60745:

#### Main handle:

<b>Chiseling <math>a_{h(CHeg)}</math></b>	18.652 m/s <sup>2</sup>
<b>Uncertainty K</b>	1.5 m/s <sup>2</sup>

#### Additional handle:

<b>Chiseling <math>a_{h(CHeg)}</math></b>	14.992 m/s <sup>2</sup>
<b>Uncertainty K</b>	1.5 m/s <sup>2</sup>

### **Note**

The vibration level specified in these instructions has been measured in accordance with a standardised measuring procedure and can be used for equipment comparisons. The specified vibration emission value can also be used to make an initial exposure estimate.

### **⚠ WARNING!**

The vibration level varies in accordance with the use of the power tool and may be higher than the value specified in these instructions in some cases. Regular use of the power tool in this way may cause the user to underestimate the vibration. Try to keep the vibration loads as low as possible. Measures to reduce the vibration load are, e.g. wearing gloves and limiting the working time. Wherein all states of operation must be included (e.g. times when the power tool is switched off and times where the power tool is switched on but running without load).

## **Disposal and recycling**

The equipment is supplied in packaging to prevent it from being damaged in transit. The raw materials in this packaging can be reused or recycled. The equipment and its accessories are made of various types of material, such as metal and plastic. Never place defective equipment in your household refuse. The equipment should be taken to a suitable collection center for proper disposal. If you do not know the whereabouts of such a collection point, you should ask in your local council offices.

# Troubleshooting

<b>Troubleshooting guide</b>		
<b>Problem</b>	<b>Possible cause</b>	<b>Corrective Action</b>
Motor does not start.	Failure of mains fuse.	Check the mains fuse.
	Extension cable defective.	Replace defective extension cable.
	Connections at the motor or switch out of order.	Check with the help of an electrician.
	Motor or switch defective.	Check with the help of an electrician.
Motor does not work, the fuse responds.	Cross section of the extension cable insufficiently.	Refer to electrical connection.



# FERREX®

DEMOLITION BREAKER

## Warranty Details

---

REGISTER YOUR PURCHASE AT [www.aldi.com.au/en/about-aldi/product-registration/](http://www.aldi.com.au/en/about-aldi/product-registration/)  
TO KEEP UP-TO-DATE WITH IMPORTANT PRODUCT INFORMATION


---


The product is guaranteed to be free from defects in workmanship and parts for a period of 36 months from the date of purchase. Defects that occur within this warranty period, under normal use and care, will be repaired, replaced or refunded at our discretion. The benefits conferred by this warranty are in addition to all rights and remedies in respect of the product that the consumer has under the Competition and Consumer Act 2010 and similar state and territory laws.

Our goods come with guarantees that cannot be excluded under the Australian Consumer Law. You are entitled to a replacement or refund for a major failure and for compensation for any other reasonably foreseeable loss or damage. You are also entitled to have the goods repaired or replaced if the goods fail to be of acceptable quality and the failure does not amount to a major failure.

---

#### AFTER SALES SUPPORT

 1300 855 831

 [support@scheppach.com.au](mailto:support@scheppach.com.au)

AU Hotline Costs: Local rate for landline calls\*

\*Charges may vary dependent upon network operator or mobile network provider.

**5**  
YEAR  
WARRANTY







# FERREX<sup>®</sup>

DEMOLITION BREAKER

## Repair and Refurbished Goods or Parts Notice

---

REGISTER YOUR PURCHASE AT [www.aldi.com.au/en/about-aldi/product-registration/](http://www.aldi.com.au/en/about-aldi/product-registration/)  
TO KEEP UP-TO-DATE WITH IMPORTANT PRODUCT INFORMATION

---

Unfortunately, from time to time, faulty products are manufactured which need to be returned to the Supplier for repair.

Please be aware that if your product is capable of retaining user-generated data (such as files stored on a computer hard drive, telephone numbers stored on a mobile telephone, songs stored on a portable media player, games saved on a games console or files stored on a USB memory stick) during the process of repair, some or all of your stored data may be lost.

**We recommend you save this data elsewhere prior to sending the product for repair.**

You should also be aware that rather than repairing goods, we may replace them with refurbished goods of the same type or use refurbished parts in the repair process.

**Please be assured though, refurbished parts or replacements are only used where they meet ALDI's stringent quality specifications.**

If at any time you feel your repair is being handled unsatisfactorily, you may escalate your complaint. Please telephone us on "1300 855 831" or write to us at:

RossMac Pty. Ltd.

P.O. Box 261, Essendon North, Victoria, 3041

Telephone: 1300 855 831 (Monday - Friday 8:30am-6:00pm)

Email: [support@schepach.com.au](mailto:support@schepach.com.au)

---

#### AFTER SALES SUPPORT

 1300 855 831

 [support@schepach.com.au](mailto:support@schepach.com.au)

AU Hotline Costs: Local rate for landline calls\*

\*Charges may vary dependent upon network operator or mobile network provider.

